

- Space saving: compact
- Tinned copper block: high conductivity
- IP 20 protection/UL finger-safe: improved safety
- Cable fixing screw diameters >95% fill ratio: excellent electrical contact, safe connections
- Visual inspection of wire: confirmation of connection
- Hinged or removable cover: easy wiring
- Clip-on DIN rail or mount to panel with screws: easy fixing

**Attachment**



**РБ 80**



**80A IEC 60947-7-1**

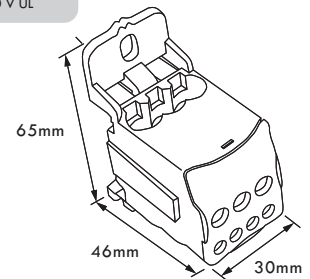
**85 Amp** ( UL certification application )

Modular:keeping only one input,the blocks can be connected in parallel using a jumper wire.  
Easily double or triple the neutral.

Metric system	mm <sup>2</sup>			T(N.m)
	6...16	x1		3.5
	2.5...6	x4		1.2
	2.5...16	x2		3.5

U.S. Regulations	AWG			Torque
	16...4	x1		19.5
	16...8	x4		10.6
	16...4	x2		19.5

- I=80 A IEC
- I=85 A UL/CSA
- Icw KA rms Is: 3
- IPk KA: 22
- Ui: 690V IEC
- Vin: 600 V UL



Installation Hole:54mm

**РБ 125**



**125A IEC 60947-7-1**

**150 Amp** ( UL certification application )

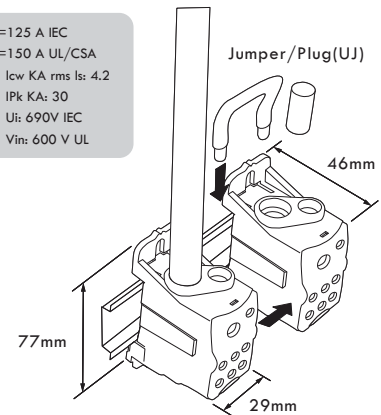
Modular:keeping only one input,the blocks can be connected in parallel using a jumper wire.  
Easily double or triple the neutral.

Metric system	mm <sup>2</sup>			T(N.m)
	10...35	x1		8.5
	6...16**	x1		3.5
	2,5...16	x6  x4		3.5

\*\* or common jumper

U.S. Regulations	AWG			Torque
	8...1/0	x1		57
	14...4	x1		31
	14...4	x6		31

- I=125 A IEC
- I=150 A UL/CSA
- Icw KA rms Is: 4.2
- IPk KA: 30
- Ui: 690V IEC
- Vin: 600 V UL



Installation Hole:64mm

**РБ 160**



**160A IEC 60947-7-1**

**200 Amp** ( UL certification application )

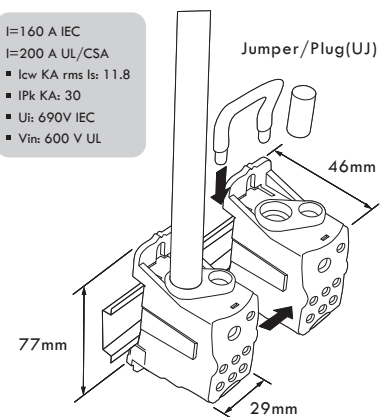
Modular:keeping only one input,the blocks can be connected in parallel using a jumper wire.  
Easily double or triple the neutral.

Metric system	mm <sup>2</sup>			T(N.m)
	10...70	x1		8.5
	6...16**	x1		3.5
	2,5...16	x6  x4		3.5

\*\* or common jumper

U.S. Regulations	AWG			Torque
	8...3/0	x1		75
	14...4	x1		31
	14...4	x6		31

- I=160 A IEC
- I=200 A UL/CSA
- Icw KA rms Is: 11.8
- IPk KA: 30
- Ui: 690V IEC
- Vin: 600 V UL



Installation Hole:64mm

РБ 250



**250A IEC 60947-7-1**

**255 Amp** ( UL certification application )

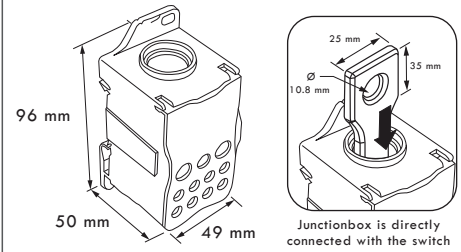
Modular:allows versatile building of power blocks single pole, two pole,three pole or four pole.

Metric system	mm <sup>2</sup>	mm <sup>2</sup>		I(N.m)
	35...120		x1	19
	6...35	6...25	x2	4.4
	2.5...16	2.5...16	x5	2.7
	2.5...10	2.5...10	x4	2.7

U.S. Regulations	AWG		Torque
	6...250 Kcmil	x1	221
	14...1	x2	39
	14...4	x5	24
	14...6	x4	24

- I=250 A IEC
- I=255 A UL/CSA
- ◆ Icw KA rms Is: 24.5
- ◆ IPk KA: 51
- ◆ Ui: 690V IEC
- ◆ Vin: 600 V UL

Flexible with TF 250A busbar connection with the TH



Installation Hole:85×29mm

РБ 400



**400A IEC 60947-7-1**

**335 Amp** ( UL certification application )

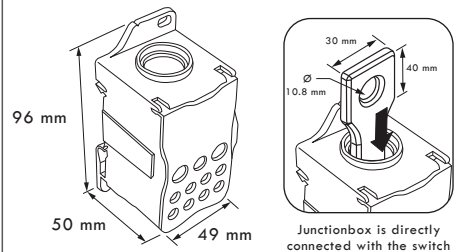
Modular:allows versatile building of power blocks single pole, two pole,three pole or four pole.

Metric system	mm <sup>2</sup>	mm <sup>2</sup>		I(N.m)
	95...185		x1	25
	6...35	6...25	x2	4.4
	2.5...16	2.5...16	x5	2.7
	2.5...10	2.5...10	x4	2.7

U.S. Regulations	AWG		Torque
	3/0...400 Kcmil	x1	221
	14...1	x2	39
	14...4	x5	24
	14...6	x4	24

- I=400 A IEC
- I=335 A UL/CSA
- ◆ Icw KA rms Is: 24.5
- ◆ IPk KA: 51
- ◆ Ui: 690V IEC
- ◆ Vin: 600 V UL

Flexible with TF 400A busbar connection with the TH



Installation Hole:85×29mm

РБ 500



**500A IEC 60947-7-1**

**520 Amp** ( UL certification application )

Modular:allows versatile building of power blocks single pole, two pole,three pole or four pole.

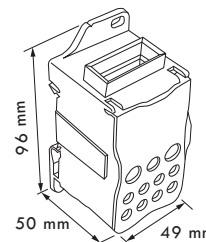
Metric system	mm <sup>2</sup>	mm <sup>2</sup>		I(N.m)
	4x15.5x0.8 ...8x24x1	4x15.5x0.8 ...8x24x1		10
	6...35	6...25	x2	4.4
	2.5...16	2.5...16	x5	2.7
	2.5...10	2.5...10	x4	2.7

U.S. Regulations	AWG		Torque
	4x15.5x0.8 ...8x24x1		88.5
	14...1	x2	39
	14...4	x5	24
	14...6	x4	24

- I=500 A IEC
- I=520 A UL/CSA
- ◆ Icw KA rms Is: 24.5
- ◆ IPk KA: 51
- ◆ Ui: 690V IEC
- ◆ Vin: 600 V UL

TH flexible busbar

	4 x 15.5 x 0.8
	6 x 15.5 x 0.8
	2 x 20 x 1
	3 x 20 x 1
	4 x 20 x 1
	5 x 20 x 1
	6 x 20 x 1
	2 x 24 x 1
	3 x 24 x 1
	4 x 24 x 1
	5 x 24 x 1
	6 x 24 x 1
	8 x 24 x 1



Installation Hole:85×29mm